



## **Chitimacha Public Works Department**

P.O. Box 661

155 Chitimacha Loop Road

Charenton, LA 70523

Tel: 337.923.4326

Fax: 337.923.6848

[www.chitimacha.gov](http://www.chitimacha.gov)

### **Request for Proposals (RFP) for *GRADALL XL3300V***

**ISSUE DATE:** Wednesday, October 2, 2024

**DUE DATE:** Monday, October 14, 2024

**SUBMIT TO:** Chitimacha Public Works Department  
Attn: Johnny Burgess, Public Works Director  
P.O. Box 661  
155 Chitimacha Loop  
Charenton, LA 70523  
Email: [johnnyb@chitimacha.gov](mailto:johnnyb@chitimacha.gov)

# Invitation for Proposals

The Chitimacha Tribe of Louisiana invites you to provide your best price for a GRADALL XL5300V.

Sealed proposals will be received by the Chitimacha Tribe at the Multi-Purpose Building (155 Chitimacha Loop Road; Charenton LA 70523) until 5:00 P.M. (local time) on October 14, 2024. Proposals received after the time set forth above for opening of proposals will not be considered and will be returned unopened. By submission of a proposal, the Proposer acknowledges that they are familiar with the existing conditions and are capable of providing the scope of services requested.

Any questions or clarifications required of this RFP shall be submitted to Johnny Burgess, Public Works Director, in writing (FAX and email submissions are acceptable) a minimum of five (5) business days before the proposal opening date. Addenda will be issued to all prospective Proposers at least forty-eight (48) hours before the proposal opening date. Only information provided within the written addenda issued by Johnny Burgess, Public Works Director, shall be considered binding.

Preference in the award of this project shall be given to Indian and Alaska Native contractors (“Native Contractor”). Native Contractor or “Indian-Owned Economic Enterprise” means any Indian-owned commercial, industrial, or business activity established or organized for profit, provided that such Indian ownership shall constitute not less than fifty-one (51) percent of the enterprise and that ownership shall encompass active operation and control of the enterprise continually for the duration of the project. The Tribe shall give preference to an Indian-owned Economic Enterprise so long as the bid by this enterprise does not exceed the lowest quote submitted by more than five percent (5%). Any contractor claiming Indian Preference must submit evidence that is satisfactory to the Tribe to qualify.

The Chitimacha Tribe of Louisiana reserves the right to reissue or amend this RFP, request additional information from any Proposer, and negotiate a contract with the Proposer that is selected for award based on the proposal submitted.

# GRADALL®

## XL 3300 V

HYDRAULIC  
EXCAVATOR



## SPECIFICATIONS

### Engine

- Volvo TAD551 VE, Tier III, 4 cycle, inline 4 cylinder, liquid cooled, electronic controlled
- Vertical canister style lube and main fuel filters and fuel/water separation with manual feed pump attached to engine
- Water in fuel indicator and alarm

**Gross Rating:** 172 hp @ 2000 rpm (128kW)  
590 ft lb torque @ 1100-1500 rpm (800Nm)

**Net Rating:** 152 hp @ 2000 rpm (113kW)

- Variable viscous fan clutch system
- Vertical stacked hydraulic oil cooler, charge air cooler and radiator
- Block heater

**Maximum slope:** 30°

- 24 volt starter
- 100 amp alternator
- Two SAE #C31-S 1000 CCA batteries
- Two-stage air cleaner with high-efficiency pre-cleaner
- Vacuator valve
- Remote service indicator

**Fuel tank capacity:** 99 gal (375 L)

### Operator Cab

- All-weather cab
- Tinted safety glass windows
- Skylight
- Acoustical lining
- Four-way adjustable seat
- AM/FM radio
- Filtered fresh air heater
- Defroster
- Air conditioning
- Front window slides to overhead storage
- Mirrors on right and left sides
- Seat belt
- Windshield wiper and washer
- LED high/low beam headlights
- LED parking lights
- LED brake lights
- LED four-way hazard lights
- LED turn indicator lights
- LED work lights
- LED swing lights
- Axle oscillation lock switch

### Controls

- Two electronic joysticks (hoist and bucket, telescope and swing)
- One rocker switch (tilt) control
- Joysticks mounted on arm pods
- Quick change joystick pattern switch (Gradall, SAE, Deere)
- Self-centering joysticks and pedals; when controls are released, power for movement disengages and swing and tilt brake set automatically
- Tilting/telescoping steering column
- Hydraulic foot pedal controls braking functions
- Travel speed is regulated with an electronic foot pedal control
- Switch on the FWD/REV selector provides 1st/2nd gear selection
- Independent rocker switches control stabilizers, axle oscillation, park brake and hazard lights
- Switch on column provides marker lights, high/low headlights and direction indicators

### Engine Controls and Instrumentation

- Key ignition/starter switch; throttle and main battery disconnect switch
- Air cleaner condition indicator
- Electronic monitor indicates fuel level, low battery charge, lube oil pressure, high coolant temperature, engine rpm and engine hours
- Fuel saving auto idle feature sends engine rpm to idle when control circuits are in neutral for seven seconds

### Boom

- Two piece triangular telescoping boom
- Adjustable boom rollers with eccentric shafts
- 220° boom tilt
- 105° boom pivot angle
- Auxiliary hydraulics

### Pumps

- One load-sensing, axial piston pump; oil flow 0-110 gpm (0-416 L/min)
- Tandem gear pump (steering, brake/pilot) 10 gpm (38 L/min), 6 gpm (23 L/min)

### System Monitor

- Electronic monitor in cab indicates
  - Low hydraulic fluid level
  - High hydraulic fluid temperature
  - System working pressure
  - System pilot pressure

### SYSTEM SPECIFICATIONS

#### Six Cylinders

- One tool cylinder: 4.25" ID, 3.0" rod (108 mm x 76 mm), 25.9" (658 mm) stroke
- Two hoist cylinders: 3.50" ID, 2.559" rod (89 mm x 65 mm), 31.0" (787 mm) stroke
- One telescope: 3.5" ID, 2.559" rod (89 mm x 65 mm), 12'6" (3.81 m) stroke
- Two single-acting axle oscillation cylinders 4.528" ID, 4.528" rod (115 mm x 115 mm), 6.25" (159 mm) stroke

#### Three Hydraulic Motors

- Swing, 51 hp (38 kW)
- Tilt, 21 hp (16 kW)
- Propel, 113 hp (84 kW)

#### Operating Pressures:

- Hoist .....4,900 psi (331 BAR)
- Tilt.....2,500 psi (172 BAR)
- Swing.....3,000 psi (207 BAR)
- Tool .....4,900 psi (331 BAR)
- Telescope .....4,900 psi (331 BAR)
- Propel .....4,900 psi (331 BAR)
- Pilot System.....550 psi (38 BAR)
- Braking & Steering.. 2,400 psi (165 BAR)
- Blade & Stabilizers.. 4,000 psi (207 BAR)

#### Oil Capacity

- Reservoir system 65 gallons (246 L)
- Pressurized reservoir with visual oil level gauges

#### Filtration System

- 10 micron return filter
- 10 micron pilot filter
- Fin and tube-type oil cooler with thermal by-pass and relief valves
- Pressure-compensated, load-sensing valves with circuit reliefs in all circuits

XL 3300 V ROUGH TERRAIN WHEELED EXCAVATOR

## Undercarriage

- Full-time 4-wheel drive transfer case delivers power from the hydraulic drive motor to the drive axles
- Both axles equipped with internal wet-disc type service brakes
- Steering axle fitted with oscillation lock cylinders
- Optional stabilizer or blade

**Tires:** 10.00 x 20 Super-Lug

**Axles:** ZF Model 3070 (FTF 2090)

**Transmission:** ZF Model HL 290

**Drive Motor:** Rexroth A6 Series, 160cc/Rev

**Minimum Turning Radius:** 25'1" (7.65 m)

## Undercarriage Drive

- Variable displacement high torque piston motor powers two-speed power shift transmission
- Speed mode selection can also be done while moving
- Electronically operated travel alarm signals excavator movement

### Gradeability

- 58%, limited by engine lubrication requirements

### Tractive Effort

- 23,705 (105kN)

### Travel speed on flat, level surface—mph km/hr):

	Creeper Mode	Standard Mode
<b>First Gear</b>	1.8 mph (2.9 kmh)	5.7 mph (9.2 kmh)
<b>Second Gear</b>	6.3 mph (10.1 kmh)	20.0 mph (32.2 kmh)

## Swing

- Priority swing circuit with axial piston motor
- Planetary transmission

**Swing speed:** 8.0 rpm

### Swing Brake

- Automatic spring-set/hydraulic release wet disc parking brake
- Dynamic braking provided by the hydraulic system

## Function Forces

**Rated Bucket Breakout Force:**

19,300 lb (86 kN)

**Rated Boom Force:** 22,075 lbs (98.2 kN)

## Weight

- Approximate working weight with 36" (914 mm) excavating bucket, fuel tank half full
- 39,294 lb (17,823 kg)

**Outriggers:** 2,720 lb (1,234 kg)

**Blade:** 1,480 lb (671 kg)

## GRADALL Model XL 3300 V Excavator Rated Lift Capacity - LB (KG)

LOAD POINT HEIGHT		LOAD RADIUS								
		10' 0" (3.0 m)		15' 0" (4.6 m)		20' 0" (6.1 m)		Maximum Radius	Over End	Over Side
		Over End	Over Side	Over End	Over Side	Over End	Over Side			
Above Ground Level	15' 0" (4.6 m)			6630 (3350)	6630 (3350)	4455 (2020)	4455 (2020)	22' 7" (6.9 m)	3690 (1675)	3690 (1675)
	10' 0" (3.0 m)			7870 (3570)	7870 (3570)	5050 (2290)	5050 (2290)	24' 0" (7.3 m)	3705 (1680)	3705 (1680)
	BOOM LEVEL 8' 6" (2.6 m)			8095 (3670)	8095 (3670)	5160 (2340)	5160 (2340)	24' 2" (7.4 m)	3725 (1690)	3725 (1690)
	5' 0" (1.5 m)			8150 (3695)	8150 (3695)	5245 (2380)	5245 (2380)	24' 2" (7.4 m)	3775 (1710)	3775 (1710)
At Ground Level				7140 (3240)	7140 (3240)	4920 (2230)	4920 (2230)	23' 4" (7.1 m)	3875 (1760)	3875 (1760)
Below Ground Level	15' 0" (4.6 m)	6285 (2850)	6285 (2850)	5565 (2525)	5565 (2525)	4230 (1920)	4230 (1920)	21' 2" (6.4 m)	3950 (1790)	3950 (1790)
	10' 0" (3.0 m)	3855 (1750)	3855 (1750)	4095 (1855)	4095 (1855)			17' 1" (5.2 m)	3850 (1745)	3850 (1745)

**NOTE:** The above loads are in compliance with the SAE standard J1097 DEC2005. They do not exceed 87% of hydraulic lifting capacity or 75% of tipping capacity.

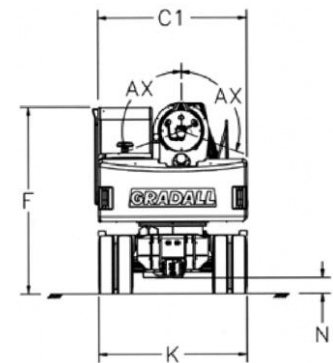
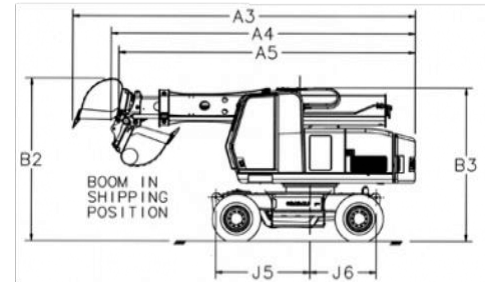
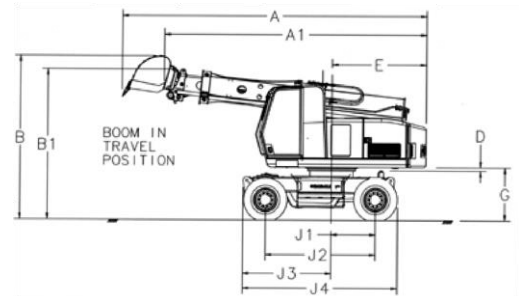
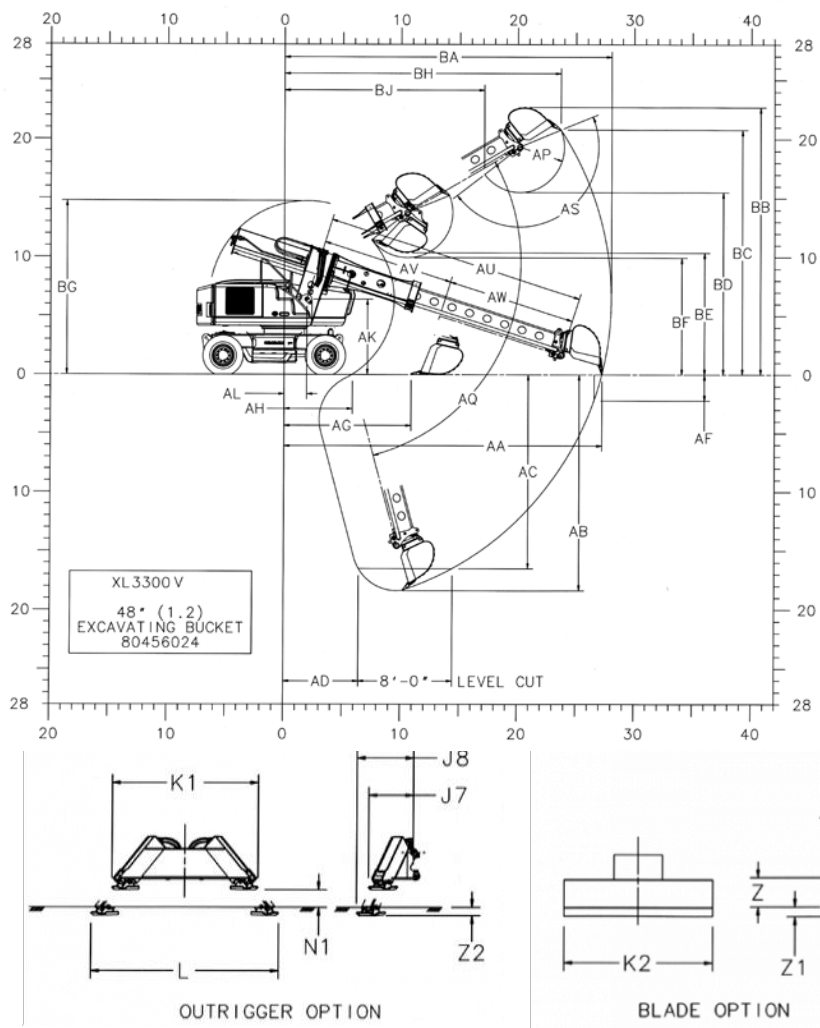
The rated lift capacity is based on the machine being equipped with 6,000 lb (2724 kg) counterweight, standard boom, standard tires, no auxiliary hydraulics and no bucket.

**NOTE:** Bucket adjustment values are 87% of the actual bucket weights.

The load point is located on the bucket pivot point, including loads listed for maximum radius.

Do not attempt to lift or hold any load greater than these rated values at specified load radii and heights. The weight of slings and any auxiliary devices must be deducted from the rated load to determine the net load that may be lifted.

**ATTENTION:** All rated loads are based on the machine being stationary and level on a firm supporting surface. The user must make allowance for particular job conditions such as soft or uneven ground, out of level conditions, side loads, hazardous conditions, experience of personnel, etc. The operator and other personnel must read and understand the operator manual before operating this machine. Rules for safe operation of equipment must be adhered to at all times.



## Dimensions

- A** Overall length with bucket open (travel position): 24'3" (7.4)
- A1** Overall length without bucket (travel position): 20'11" (6.4)
- A3** Overall length with bucket open (shipment position): 24'6" (7.5)
- A4** Overall length with bucket closed (shipment position): 21'9" (6.6)
- A5** Overall length without bucket (shipment position): 21'3" (6.5)
- B** Overall height with bucket open (travel position): 12'10" (3.9)
- B1** Overall height without bucket (travel position): 11'10" (3.6)
- B2** Overall height with bucket open (shipment position): 11'6" (3.5)
- B3** Overall height without bucket (shipment position): 10'11" (3.3)
- C1** Width of upperstructure: 8'6" (2.6)
- D** Minimum clearance, upperstructure to undercarriage: 3" (78 mm)
- E** Swing clearance, rear of upperstructure: 7'6" (2.3)
- F** Top of cab to groundline: 10'7" (3.2)
- G** Clearance, upperstructure to groundline: 4'2" (1.3)
- J1** Axis of rotation to centerline of fixed axle: 3'6" (1.1)
- J2** Wheelbase of undercarriage: 8'9" (2.7)
- J3** Axis of rotation to front of undercarriage: 7'0" (2.1)
- J4** Nominal overall length of undercarriage: 12'3" (3.7)
- J5** Axis of rotation to front option attachment pin: 6'9" (2.1)
- J6** Axis of rotation to rear option attachment pin: 4'9" (1.4)
- J7** Outrigger length, attachment pin to pad in up position: 2'7" (0.8)
- J8** Outrigger length, attachment pin to pad in down position: 3'3" (1.0)
- J9** Blade length, attachment pin across blade in up position: 3'4" (1.0)
- K** Overall width undercarriage: 8'6" (2.6)
- K1** Overall width outrigger (up position): 8'4" (2.5)
- K2** Overall width blade: 8'6" (2.7)
- L** Overall width outrigger (down position): 10'8" (3.3)
- N** Ground clearance (per SAE J1234): 11" (275 mm)
- N1** Ground clearance (outrigger option): 12" (300 mm)
- Z** Blade above ground (option): 1'8" (505 mm)
- Z1** Depth below ground level of blade (option): 7" (166 mm)
- Z2** Depth below ground level of outrigger (option): 6" (142 mm)
- AA** Maximum radius at groundline: 27'3" (8.3)
- AB** Maximum digging depth: 18'5" (5.6)
- AC** Maximum depth for 8' level cut: 16'6" (5.0)
- AD** Minimum radius of 8' level cut at depth "AC": 6'5" (2.0)
- AF** Maximum depth of vertical wall which can be excavated: 2'3" (0.7)
- AG** Minimum level cut radius with bucket flat on groundline: 10'11" (3.3)
- AH** Minimum radius at groundline: 5'10" (1.8)
- AK** Boom pivot to groundline: 6'5" (2.0)
- AL** Boom pivot to axis of rotation: 1'11" (585 mm)
- AP** Bucket tooth radius: 3'10" (1.2)
- AQ** Boom pivot angle: 30° up and 75° dn
- AS** Bucket pivot angle: 165°
- AU** Maximum telescoping boom length (boom pivot to bucket pivot): 22'3" (6.8)
- AV** Minimum telescoping boom length (boom pivot to bucket pivot): 11'3" (3.4)
- AW** Telescoping boom travel: 11'0" (3.4)
- AX** Bucket tilt angle (both sides of center): 110°
- BA** Maximum radius of working equipment: 28'0" (8.5)
- BB** Maximum height of working equipment: 22'8" (6.9)
- BC** Maximum bucket tooth height: 20'10" (6.3)
- BD** Minimum clearance of bucket teeth, with bucket pivot at maximum height: 15'6" (4.7)
- BE** Minimum clearance of fully curled bucket at maximum boom height: 10'5" (3.2)
- BF** Minimum clearance of bucket teeth at maximum boom height: 9'11" (3.0)
- BG** Maximum height of working equipment with bucket below groundline: 14'9" (4.5)
- BH** Radius of bucket teeth at maximum height: 23'9" (7.2)
- BJ** Minimum radius of bucket teeth at maximum bucket pivot height: 17'1" (5.2)

Specifications subject to change without notice.  
Metric units are meters (m) unless noted.  
Machines shown may have optional equipment.

## ATTACHMENTS

- Boom Extension - 8 Ft. w/o Aux Hoses
- Aux. Hyd. Hoses For 8 Ft. Boom Extension
- Bucket - Ditching - 72" W/ Bolt On Cutting Edge
- Fixed Thumb Grapple
- Grading Blade - 8 Ft.
- 50" Tiger Rotary Mower
- Foot Pedal Auxiliary Hydraulics - UniDirectional Flow
- Low Pressure Aux. Return To Tank
- Factory Freight
- Pre-Delivery Inspection
- Delivery to customer location